

AH LIGHTING



AH562A 36'S/ BOX



TEST/SILENCE BUTTON



BUZZER



RED STATUS INDICATOR



AC STATUS INDICATOR (GREEN)

This model is a photoelectric smoke alarm, it meets the UL217 9th standard. It is powered by 120VAC with a 9V battery backup to provide protection even during power outages. It is a multi-station alarm and can be interconnected through hardwire. It also can reduce the probability of nuisance alarms effectively.

Technical Specification:

Sensor Type:Photoelectric

Product life: 10 Years after manufacture

Supply Voltage:120 volts AC, 60 Hz, 60 mA max

Power Consumption:Alarm current :30mA(MAX)

Battery back-up: DC 9V Battery

Battery Type: 9V Carbon zinc Battery (Replaceable)

Battery Brand : Gold Peak: GP1604S EVEREADY: EVEREADY 1222

Battery Lifetime: 1 Year

Visual Indicators: AC Power: Green LED Alarm (Fault) : Red LED

Alarm indication: Sound and light indication

Sound Level: 85dB at 10ft

Mounting type: Ceiling or wall

Normal Operating and Storage Temperature Range:

Operation Range: 40°F (4.4°C) to 100°F (37.8°C) Storage Temperature

Range: -4°F (-20°C) to 122°F (50°C)

Storage Humidity Range: 10-95%RH (non-condensing)

Protection degrees IP20

Plastic material: PC

Flame-retarded Rating: V-0,5VA

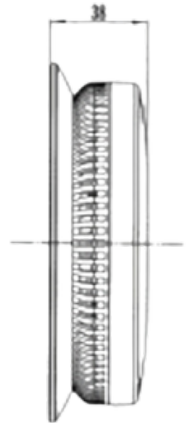
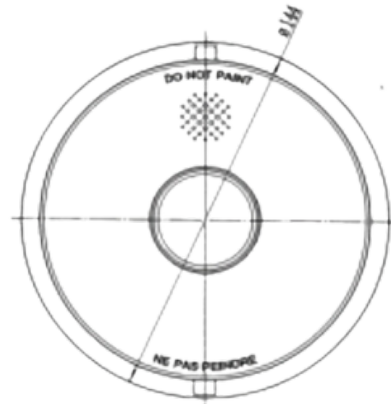
Body Colour: Siter white

Dimensions: Φ 144mm x 38mm

Weight: Approx 235g(including battery)

Warranty: 3 years (limited) warranty

Protection area: Max. 40 m2 within a room

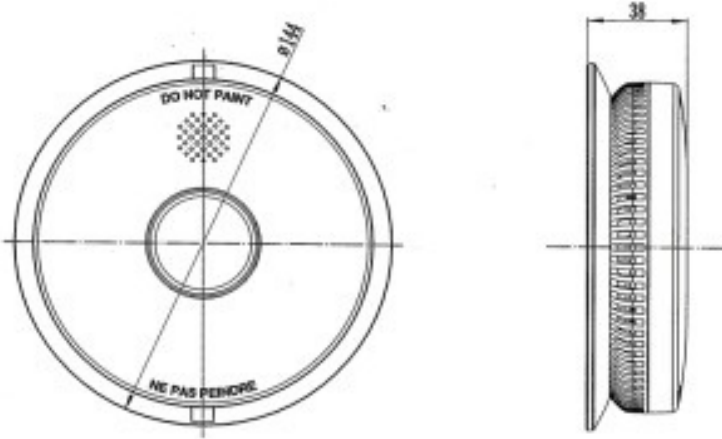


| | | | |
|-----------------------------|---------------------------------------|--|--|
| Low Battery Silence | Red LED flashes once every 40 sec. | / | Low Battery Silence: approx 10 hours |
| Fault: Sensor Error | Red LED flashes once every 40 sec. | Chirp once every 40 sec. (Out of sync with Red LED) | Remove, dispose of the unit, and replace as soon as possible. Press TEST/SILENCE Button to silence for approx 10 hours. |
| Fault: Sensor Error Silence | Red LED flashes once every 40 sec. | / | Fault silence: approx 10 hours |
| End-of-Life | Red LED flashes 3 times every 40 sec. | Chirp 3 times every 40 sec. | Remove, dispose unit, and replace as soon as possible. |

| Packing List: | | | |
|----------------------------|---|----------|--------------|
| Component | Specification | Quantity | Place |
| Product | | 1 | In color box |
| English Instruction Manual | | 1 | In color box |
| French Instruction Manual | | 1 | In color box |
| Bracket | Φ144mm×9.2mm | 1 | In color box |
| AC quick connector | Black Power line (L) White Power line (N) Red Interconnect line | 1 | In color box |
| Screw pack | Include: Expansion rubber plug*2 Screw*2 | 1 | In color box |
| Color box | 145mm×55mm×145mm | 1 | |

| | |
|---------------|--------|
| Model: AH562A | REV: D |
|---------------|--------|

Product Specification

| Dimensional Drawing: |
|---|
|  <p style="text-align: right;">Unit: mm</p> |