



## 2" IC LED REMODELING RECESSED CAN SPECIFICATION SHEET

**SKU: A2/LED/R**

### FEATUERS

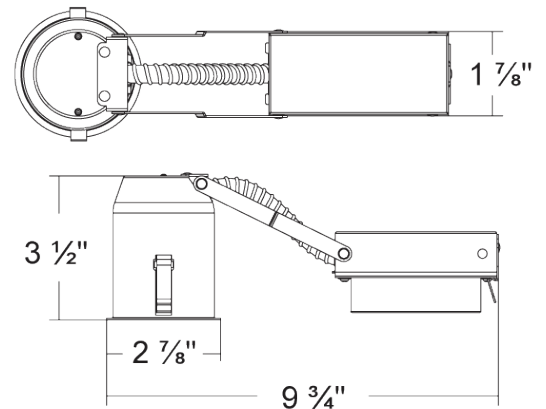
- LEDs are mounted directly to cast aluminum housing providing superior thermal management to ensure long life.
- LED engine mounted
- Accessible to LED engine from below the ceiling

### SPECIFICATIONS

- $\geq 80$  or  $\geq 90$  CRI
- Accommodates 120 volts AC at 60Hz
- Dimmable with most standard incandescent, magnetic low voltage and electronic low voltage dimmers.
- 2700K, 3000K, 4000K, 5000K available
- 120-277V available (Dimmable at 120V only).
- Long life LED chips guaranteed up to 50,000 hours.

### LISTINGS

- cULus Listed
- Energy star qualified
- Wet locations (Not suitable for coastal/salt water area)
- Damp locations
- RoHS compliances
- Tested in accordance with IESNA LM79 & LM80
- Meets state of California title 24 requirement



Project:	
Contact:	
Location:	
Fixture Type:	

Quantity	Notes