



4" IC LED SHALLOW HOUSING REMODELING RECESSED CAN SPECIFICATION SHEET

SKU: A4/LED/SH/R/IC/AT

A4/LED/SH/R/IC/AT is designed for remodel applications and suitable for use in ceiling where the housing can be direct contact with insulation. Remodel housing install into existing drywall or wood ceiling with no above access. For use in shallow ceiling which have tighter clearances.



JUNCTION BOX:

- Listed for through branch circuit wiring.
- Contains one 1-1/8", six 7/8" knockouts and four Romex pryouts with strain relief.

CEILING THICKNESS:

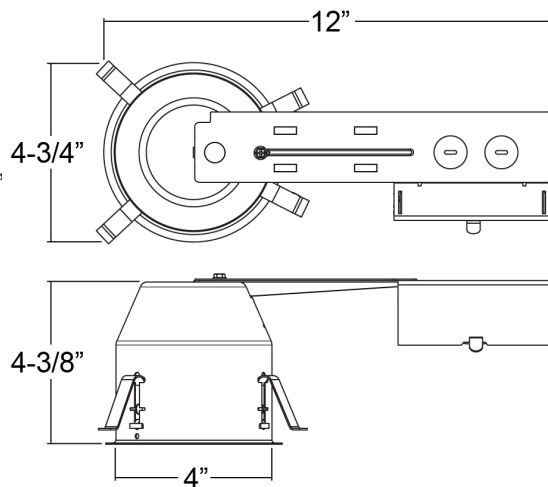
- Housing adjust from 5/8"-1 3/8" to accomodate various ceiling thickness.

REMODEL CLIPS:

- Four remodel clips secure housing and accomodates 1/2" and 5/8" ceiling materials.

LISTINGS

- cULus Listed for Feed Through
- cULus Listed for Damp Location
- Certified under ASTM-E283 for Air tight construction
- Meets state of California title 24 requirement



Project:	
Contact:	
Location:	
Fixture Type:	

Quantity	Notes