



6" IC LED SHALLOW HOUSING NEW CONSTRUCTION RECESSED CAN SPECIFICATION SHEET

SKU: A7/LED/SH/IC/AT

A7/LED/SH/IC/AT is designed for new construction installations and suitable for use in ceiling where the housing can be direct contact with insulation. For use in shallow ceiling which have tighter clearances.

PLASTER FRAME:

- Galvanized steel construction. The housing can be removed from plaster frame to provide access to the junction box.

JUNCTION BOX:

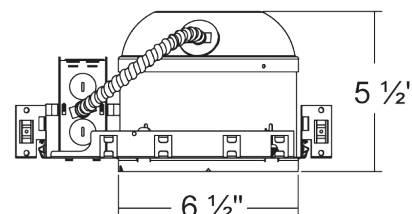
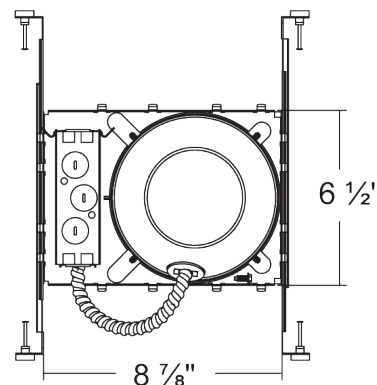
- Listed for through branch circuit wiring.
- Contains one 1-1/8", six 7/8" knockouts and four Romex pryouts with strain relief.

BAR HANGER:

- Pre-installed real nail easily installs in regular lumber, engineered lumber.
- Bar Hangers are adjustable from 13-5/8" to 25" and can be repositioned 90 degree on plaster frame.

LISTINGS:

- cUL Listed for Damp Location
- cUL Listed for Feed Through
- Certified under ASTM-E283 for air tight construction
- Meets state of California title 24 requirement



Project:	
Contact:	
Location:	
Fixture Type:	

Quantity	Notes